



FEEDER BREAKER BROCHURE

Henan Excellent Machinery Co.,Ltd.

OUR FEEDER BREAKER'S HISTORY

01 Pain Points Of Market Demand

At the end of the last century, TBEA Tianchi Energy's South open-pit mine introduced a well-known foreign brand Feeder Breaker, creating a new era for domestic development of feeder breaker. During the use of feeder breaker, many problems were discovered, such as: no localized technical support, expensive repairs, expensive spare parts with long delivery cycle, and inconvenient replacement of spare parts.

At the same time, other domestic companies using feeder breaker also encountered similar problems.



realized the localization of imported equipment, filled the domestic gap, and made outstanding contributions to the development of China's coal mining machinery.

02 Research And Development

In order to solve many problems in the process of using feeder breaker in coal mines, Our company has invested a lot of manpower and funds to research and develop together with China University of Mining and Technology, jointly develop the first feeder breaker in China, which was successfully put into operation in the south open-pit mine of Tianchi Energy Corporation at one time, specially used for primary crushing large-grained lignituous coal. It has

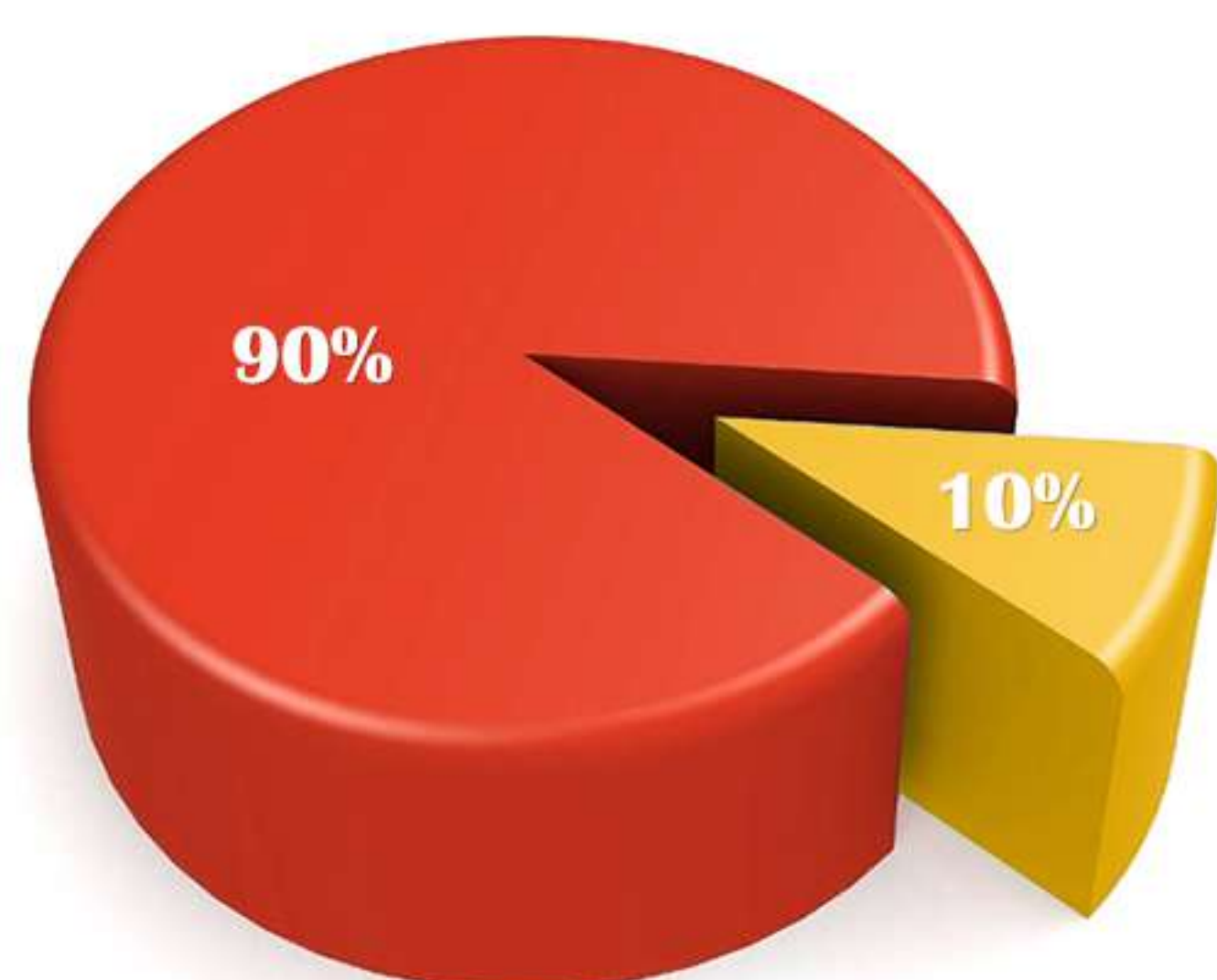
03 Equipment Upgrade And Optimization

In the use of feeder breaker, our technical team optimized the components of the feeder breaker through end-user feedback, adding functions such as pre-screening, which has obtained a number of national patented technologies, including 2 invention patents and 4 utility model patents.

In 2013 year, "R&D and Industrialization of Continuous Feeding & Crushing Station" won the top ten major science and technology projects of Xinxiang City, which greatly promoted the follow-up research & development and production of Feeder Breaker.



The Market Share Of Feeder Breaker Of Chinese Open-pit Mine Industry



- Market Share Of EXCT Feeder Breaker
- Market Share Of Other Brands Feeder Breaker

04 Domestic Market Share and Global Application

With the reliable quality and excellent performance of the feeder breaker, our feeder breaker have been recognized and praised by customers, and the use effect has reached the international leading level.

By the end of 2023, The Feeder Breaker has applied more than 70+ successful cases in open-pit coal mines, with a domestic market share of 90%.

Our feeder breaker has a high market share in China, but also exported to some countries and regions, for exmaple Mongolia, Kazakhstan, Indonesia, etc.

FEEDER BREAKER

INTRODUCTION

The Feeder Breaker is a continuous roller crushing equipment that integrates feeding and crushing functions. It is the connection between the mining system and the material handling system, which utilizes chain conveyors and horizontal crushing rollers to continuously feed and crush the mined materials.

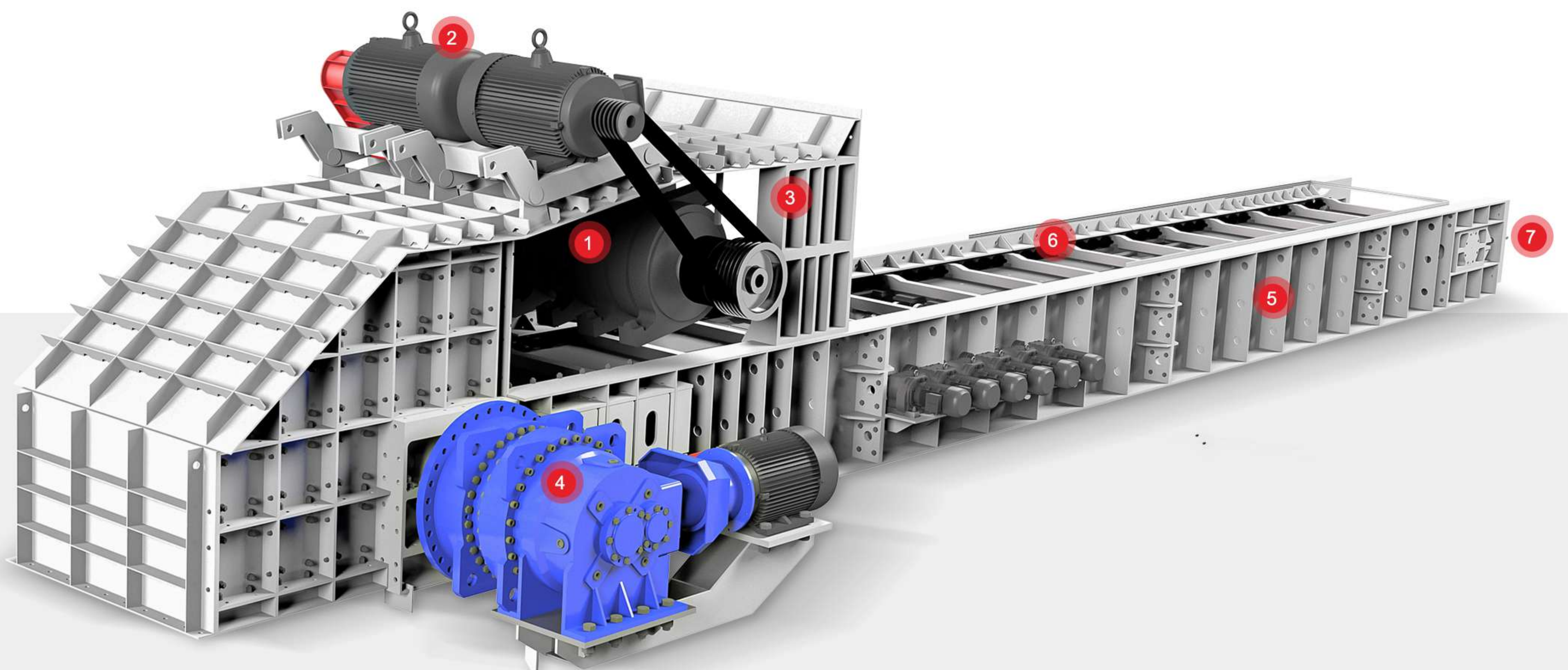
Feeder Breaker consists of chain conveyor and crushing unit, which realizes the combination of feeding and crushing functions.

The materials are directly unloaded into the hopper by dump trucks, or unloaded into the hopper by bulldozers or loaders, and then When the drive device of feeder starts to run, the drive sprocket drives the chain to move horizontally in the conveying box and drags the material forward at the same time.

When the chain and the material through the rotary teeth roller in the crushing box, because the large material cannot pass through the specific space between the teeth roller and the base plate, the large material will be knocked, squeezed and stretched by rotating toothed rollers until broken into small materials which are allowed to pass through.

In general ,the feeder breaker can crushes the large materials(800mm–1500mm) into medium sizes(200mm–500mm).

- ① Crushing Tooth Roller
- ② Crushing Drive Device
- ③ Crushing Box
- ④ Conveying Drive Device
- ⑤ Conveying Box
- ⑥ Conveying Chain & Scraper
- ⑦ Conveying Tension Device

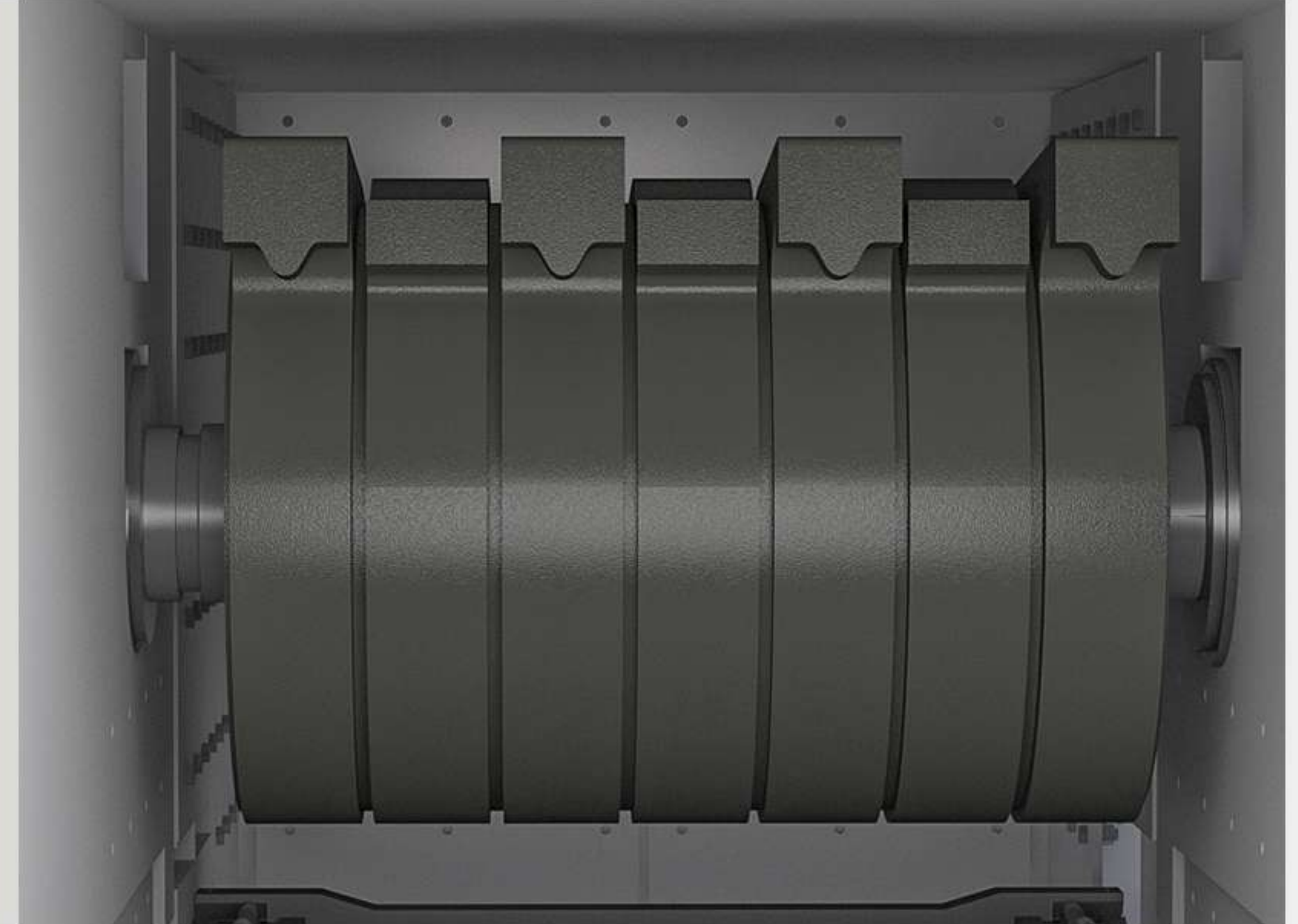


■ **ROLL CRUSHER**

Our feeder breaker can be equipped with two forms of crusher according to the different needs of our customers.

Hammer Crusher

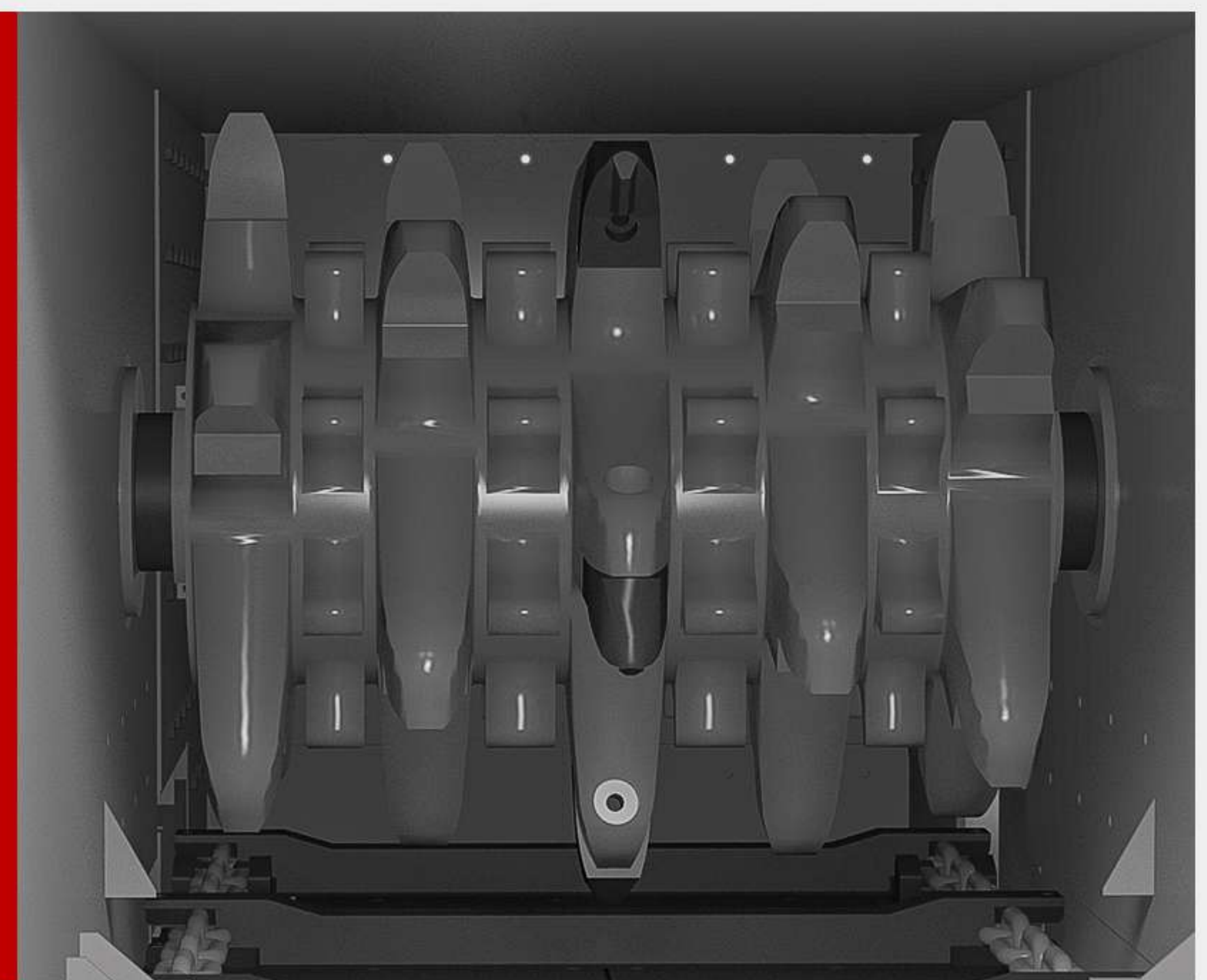
The hammer crushing tooth head are fixed by the way of movable teeth head, which is easy to replace and reduce loss. The crushing method using a breaker hammer has a significant effect on the presence of ultra-large pieces of materials in open-pit mines.



Teeth Roll Crusher

The crushing teeth are made of special formula materials after precision casting and heat treatment, with high strength, wear resistance and impact resistance.

The crushing teeth adopt special installation technology and design structure: adopt high frequency heating assembly, the structure is firm, reliable and durable. Unique and novel tooth design structure, deep spiral distribution, strong biting capacity, high production efficiency.

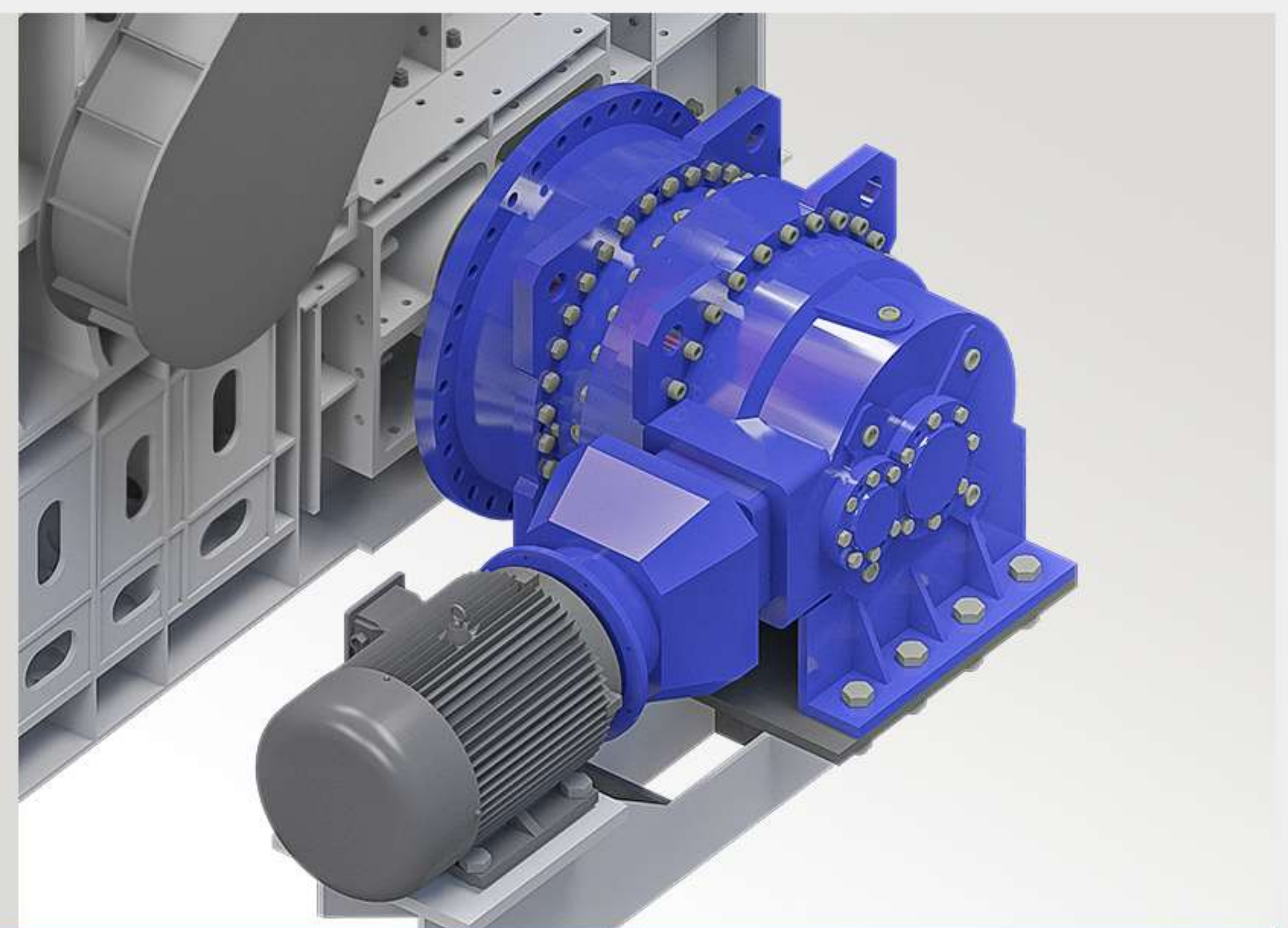


■ **CHAIN SCRAPER CONVEYOR**

Our feeder breaker are also equipped with the following parts to ensure smooth operation of transport functions:

Drive Device

Our drive system utilizes an AC variable frequency drive system that integrates software with electronic and mechanical systems to provide precise conveyor speed control and overload protection.



Chain & Scraper

The hauling chain adopts a high strength mining circular chain connected by connecting rings, with a long service life and easy change. The conveyor scraper is made of alloy steel, which has the advantages of high strength, high tensile strength, compact structure, withstands strong impact, installs easily and others.



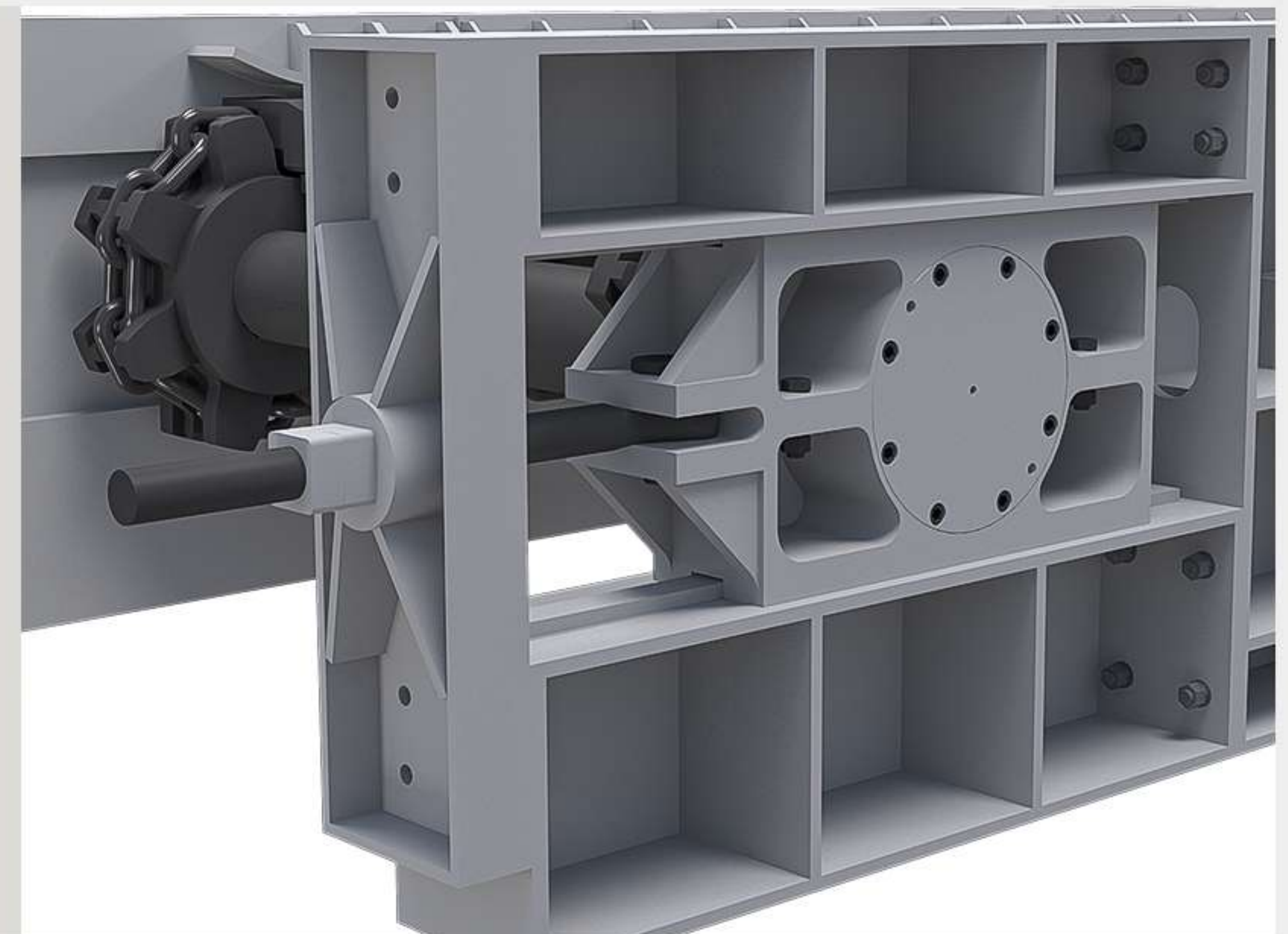
Sprocket & Shafts Assembly

The Head/Tail Shafts are designed for disassembling maintenance as a whole unit. Shafts designed with alloy hardened, tempered and stress relieved steel. Sprockets are designed with either sheet flame hardened steel or split steel to provide additional maintenance options.



Tension Device

There is a hydraulic adjustment device at the tail of conveyor body, and the manual hydraulic pump adjustment device can realize that even if the feeding end of the machine is buried in the "material", it can also quickly adjust the chain tightness to ensure the equipment stable operation.



Conveyor Box

The Conveyor box consists of a number of small Conveyor boxes connected by high-strength bolts in a row, the main function is to connect the head and tail and carry the conveyor chain sliding in it to transport materials.

The Conveyor box is welded by high strength wear-resistant steel plate, strong structure and beautiful appearance. The inner liner plate is made of wear-resistant plate and connected by bolts, making it easy to replace.



FEEDER BREAKER FEATURES

01 Low Investment

No need expensive primary crushers, little or no foundation works required, reduce investment costs. It can be directly fed by the truck or loader, does not require any other specific expensive equipment, greatly reducing equipment cost.



02 Improve Economic Performance

Feeder Breaker can choose the grate bars or roller to achieve the pre-screening function, minimize the powder materials, improve the proportion of finished materials, in order to improve economic benefits and value.



03 Adjustable Throughput

Equipped with a frequency converter, it can change the speed of the frequency converter motor, thereby changing the running speed of the conveyor chain plate, which can achieve the purpose of adjusting the handling capacity of the feeder breaker.

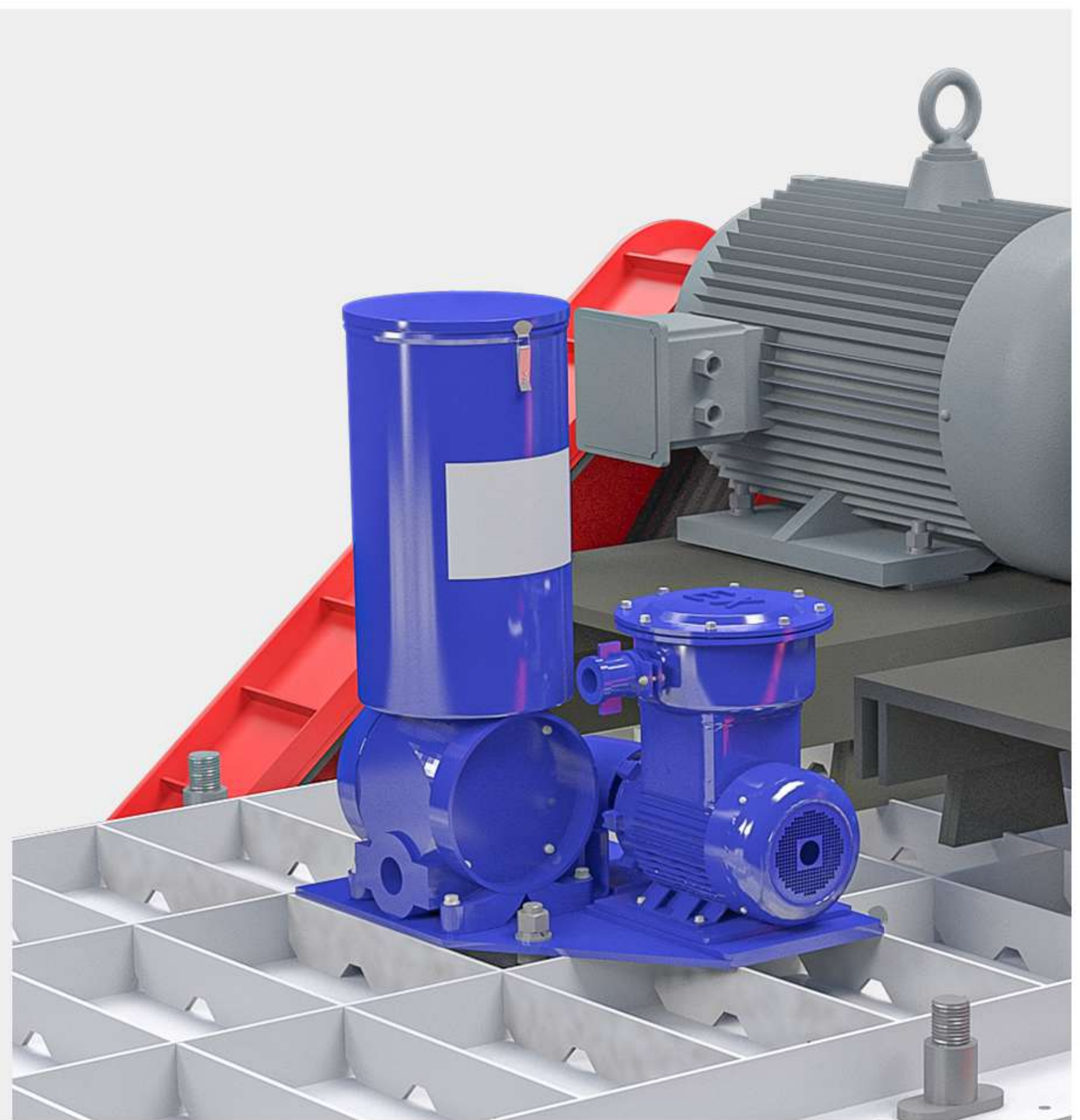


04 Automatic Lubrication System

Feeder breaker adopts a centralized automatic lubrication system, which can be remotely controlled.

The automatic lubrication system can set the oil filling interval, the number of oil filling and the amount of oil filling to ensure the effective and reliable lubrication of the core components.

The automatic lubrication system can supply oil with high pressure and fast speed, and it can be monitored remotely, so that the core components can realize good lubrication, which greatly prolongs the service life of the feeder breaker.



05 Easy Maintenance

The modular component design allows easy replacement of spare parts, making maintenance easy, reducing costly downtime and saving operating costs.



FEEDER BREAKER APPLICATION

With high quality and perfect service, our Feeder Breaker has won the support and trust of many customers at home and abroad.



HANDLING MATERIALS

- ▶ Potash Salt
- ▶ Rock Salt
- ▶ Gypsum
- ▶ Chalk
- ▶ Coal
- ▶ Slags
- ▶ Petrol Coke
- ▶ Clay
- ▶ Potash
- ▶ Limestone
- ▶ Iron Ore
- ▶ Gold Ore
- ▶ Copper Ore
- ▶ Nickel Ore
- ▶ Lead And Zinc Ore
- ▶ Shale
- ▶ Topsoil
- ▶ Tailings
- ▶ Coal Gangue

FEEDER BREAKER

TECHNICAL SPECIFICATIONS

• Equipment Model	TP1400	TP1600	TP1800	TP2200	TP2400	TP2800
• Scraper Width(mm)	1,350	1,550	1,750	2,150	2,350	2,750
• Conveyor Length(m)	6-20	8-25	8-30	8-30	10-30	10-30
• Max.Material Input Size(mm)	800x800	1,000x1,000	1,200x1,200	1,500x1,500	1,750x1,750	2,050x2,050
• Nominal Material Output Size(mm)	≤200	≤300	≤300	≤400	≤500	≤500
• Handling Capacity(t/h)	500-1,000	800-1,400	1,200-2,000	1,500-3,000	2,000-4,000	3,000-5,000

* The above technical specifications are for reference only, we can also provide customized solutions according to customer requirements.





Henan Excellent Machinery Co.,Ltd.

CONTACT US

 +86 373 5828866

 +86 18153098776

 info@exctmach.com

 <https://www.exctmach.com>